

DRAFT

ATTACHMENT A

**HMMWV M1097A2 BASE MODEL
VEHICLE CHARACTERISTICS SHEET**

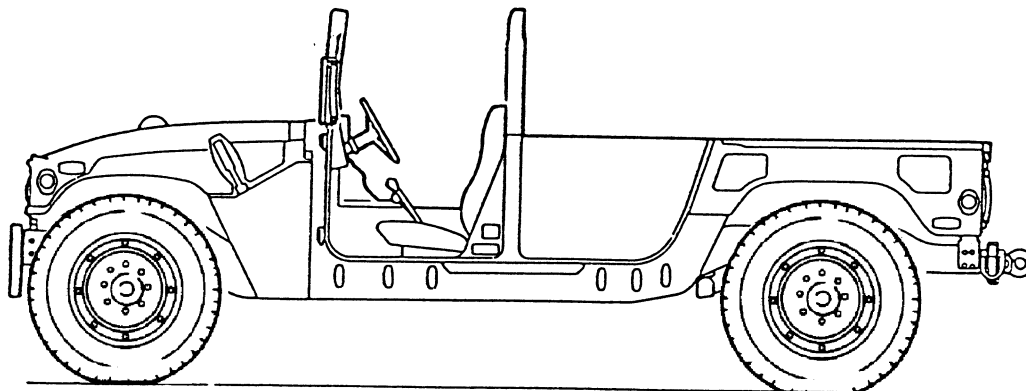
VEHICLE CHARACTERISTICS

USATACOM

NOMENCLATURE:

**TRUCK, UTILITY: HEAVY VARIANT, 10,300 GVW,
4X4, M1097A2 (2320-01-380-8604); P/N 8750315**

DATE: March 2004
AMCTC NO.
STATUS: STD- A



DESIGNATIONS

VEHICLE DATA

BRIDGE CLASSIFICATION
 Empty 2
 Loaded 5

PUBLICATIONS:
 Operator's Manual TM 9-2320-280-10

CURB WEIGHT, FULLY EQUIPPED:

	LESS PAYLOAD & CREW	GAWR	GVW
Front Axle	3160 Lbs.	4500 Lbs.	
Rear Axle	2740 Lbs.	6500 Lbs.	
Total	5900 Lbs.		10,300 Lbs.

PAYLOAD (including crew) 4400 Lbs.
TOWED LOAD ALLOWANCE 4200 Lbs.

SHIPPING DIMENSIONS:
 Cubic Feet 702 (Reducible to 531)
 Square Feet 114
 Length 190.5 In.
 Width 86.0 In.
 Height 74.0 In. (Reducible to 56.0 In.)

CENTER OF GRAVITY (at curb weight):
 Above Ground 29.2 In.
 Rear of Centerline of Front Axle 60.5 In.

TRACK:
 Front 71.6 In.
 Rear 71.6 In.

REAR AXLE TO FRAME END 31.0 In.
REAR AXLE TO END OF PINTLE 39.5 In.
CARGO BED HEIGHT (at curb weight) 37.0 In.
MAXIMUM GROUND CLEARANCE 17 In. Underbody
ANGLE OF APPROACH 54°
ANGLE OF DEPARTURE 38°
RAMP BREAKOVER ANGLE 31.5°

TURNING RADIUS (wall-to-wall):
 Left 25 Ft.
 Right 25 Ft.

FORDING DEPTH - 30 In. Standard and 60 In. with kit.

ENGINE - Type: General Engine Products Diesel, Liquid-Cooled;
 Displacement - 400 Cu In. (6.5 liter Naturally Aspirated); Bore and Stroke - 4.06 In. x 3.82 In.; Compression Ratio 21.5:1; Fuel - No. 2 Diesel Above 20°F, No. 1 Diesel Below 20°F; Lubrication - Wet Sump; Crankcase Cap. - 8 Qts; Governor - Integral Built-In Injection Pump; Cooling System Cap. - 26 Qts; Water Pump Drive, Serp Belt; Horsepower - Max. Net, 160 @ 3400 rpm (with fan off); Torque - Max. Net, 290 Lb-Ft @ 1700 rpm.

FUEL SYSTEM - Dwg. No. 12446921; Fuel Tank Cap. - 25.0 Gals. (usable), Total - 25.5 Gals; Fuel Pump - 1 Right Side Front Cylinder Block; Fuel Injection, Injection Pump; Stanadyne - Dwg. No. 12550433.

CLUTCH - None.

TRANSMISSION - Automatic - GM Hydramatic 4L80E; No. of Speeds - 4 Fwd., 1 Rev; Ratios: 1st - 2.48:1, 2nd - 1.48:1; 3rd - 1.0:1; 4th - 0.75:1; Rev - 2.08:1; Stall Ratio - 2.1:1; Lubricant Cap. - 13.5 Qts, Dry; 7.7 Qts, Drain and Refill.

DESIGNATIONS

VEHICLE DATA

TRANSFER CASE - Dwg. No. 12447125; New Venture Gear 242; Number of Speeds - 2; Ratios: High - 1:1, Low - 2.72:1; Lubricant Cap. - 7 Pts.

DIFFERENTIALS - Dwg. No. 12342615; Front and Rear - Hypoid; Ratios 2.73:1.

FRAME - Dwg. No. 12446978-1; Steel Box Section; Number of Crossmembers - 5.

FRONT SUSPENSION - Dwg. No. 12446890; Independent Double A-Frame; Coil Spring; Rate - 954 Lb/in.; Shock Absorbers - Telescopic.

REAR SUSPENSION - Dwg. No. 12446882; Independent Double A-Frame; Coil Spring; Rate - Variable; Shock Absorber - Telescopic.

GEARED HUB - Dwg. No. 12446898; Spur - Ratios: 1.92:1; Lubricant Cap. - 1 Pt.

WHEELS - Dwg. No.- Outer Rim 12460178/Inner Rim 12460177; Motor Wheel; Type: Two-Piece Take Apart; Size - 16.5 x 8.25 x 6.5BC.

TIRES - Dwg. No. 12342644; Type: Radials - Non-Directional Cross-Country Tread; Size - 37x12.5R-16.5; Load Range - D; Spare - None.

SERVICE BRAKES - Dwg. No. 12447080; Type: Disc - Front and Rear; Dual Master Cylinder With Hydroboost; Rotor Size - 304.8-mm Dia; 26-mm Thick; Lining Area - 10.7 In.² (85.6 In.² Total).

PARKING BRAKES - Type: Dual Disc, Integral With Rear Service Brakes, Hand-Operated Lever.

ELECTRICAL SYSTEM - Wiring Diagram - Dwg. No. 12446838; Dual Voltage 14V/28V; Starting Motor - Dwg. No. 12339360; Alternator - Dwg. No. 12447109; Rating - 200 amps; Drive - Belt; Battery - M552149-2; Type: 6TL; Qty. - 2.

PERFORMANCE - Mi. Per Gal. - 11; Cruising Range - 275 Min.; Maximum Speed - 70 mph; Gradeability - 40% for GCW of 14,500 Lbs. Side Slope - 30% for GCW of 14,500 Lbs., Vertical Step -18 In.

WINCH - Kit 57K0285.

PINTLE HOOK - Ord. Swivel M551335-1, Max. Tongue Load 420 Lbs.

TIEDOWNS (CARGO) - QTY 8; 2500 Lbs. capacity (each).

TRANSPORTABILITY - Modes= Highway, Rail, Marine, and Air.

ACCESSORY KITS - Dwg. No. 12340789.

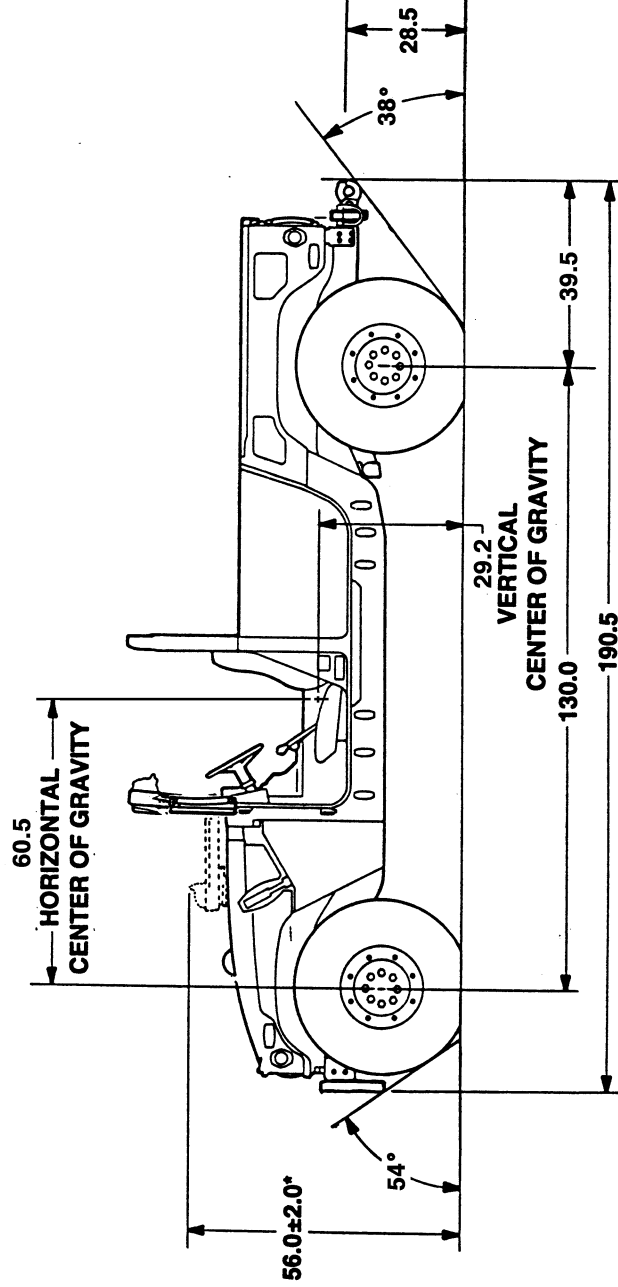
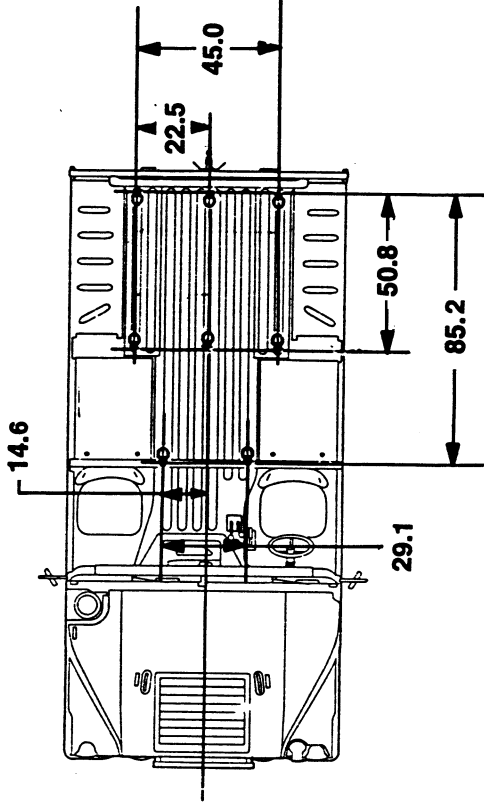
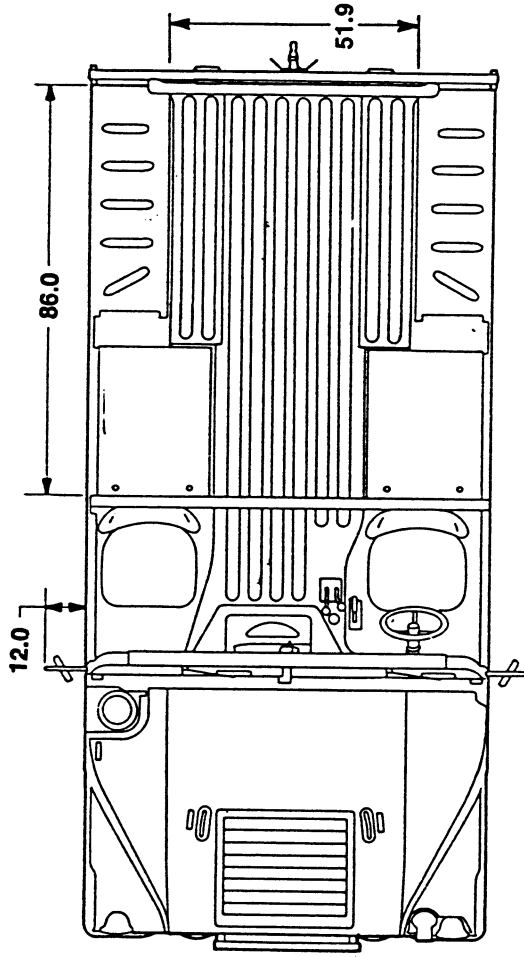
SPECIAL MISSION KITS - Dwg. No. 57K1628 - L119 Kit; Dwg. No. 57K0235 - Towed Vulcan Kit; 57K1639 - S250 Kit.

BASIC ISSUE ITEMS DRAWING - Dwg. No. 12340532.

The data included on these sheets represents mean vehicle values and is intended to provide a general description of the vehicle. For detailed design information contact:

**U.S. ARMY TANK-AUTOMOTIVE AND
ARMAMENTS COMMAND
DSN 786-2406
WARREN, MICHIGAN 48397-5000**

M1097A2 TRUCK,
UTILITY: HEAVY VARIANT, WOW



* REMOVE SOFT TOP AND "B" PILLAR
AND FOLD WINDSHIELD

NOTE: THESE DIMENSIONS ARE TAKEN AT CURB WEIGHT